

5mm Ultra Red& Blue& Pure Green LED

OST A5131A-R/PG/B

Common Cathode Type

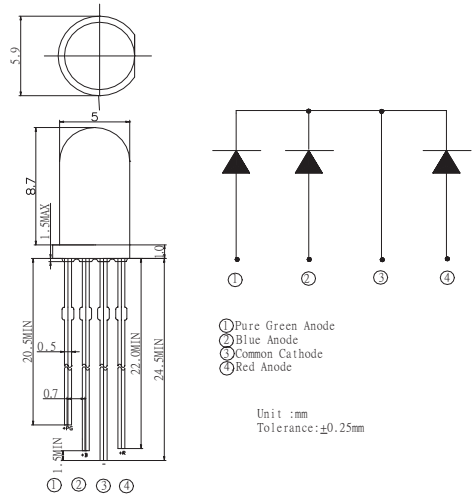
### Features

- High Luminous Output
- 5mm Standard Directivity
- Superior Weather-resistance
- Water Clear Type

### Applications

- Toys
- Games
- Audio

### Outline Dimension

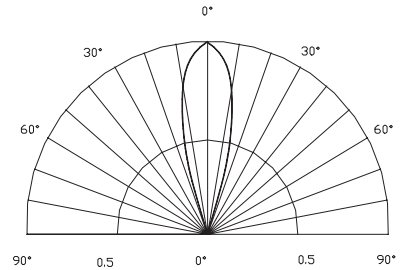


### Absolute Maximum Rating

(Ta=25°C)

Item	Symbol	Value	Unit
DC Forward Current	$I_F$	50	mA
Pulse Forward Current*	$I_{FP}$	150	mA
Reverse Voltage	$V_R$	5	V
Power Dissipation	$P_D$	200	mW
Operating Temperature	$T_{opr}$	-40 ~ +95	°C
Storage Temperature	$T_{stg}$	-40 ~ +100	°C
Lead Soldering Temperature	$T_{sol}$	260°C/5sec	-

### Directivity



### Electrical-Optical Characteristics

(Ta=25°C)

Item	Symbol	Condition	Min.	Typ.	Max.	Unit
DC Forward Voltage	$V_F(R)$	$I_F=20mA$	-	2.0	2.5	V
	$V_F(B/G)$	$I_F=20mA$	-	3.6	4.2	V
DC Reverse Current	$I_R$	$V_R=5V$	-	-	30	$\mu A$
Domi. Wavelength	$\lambda_D(R ed)$	$I_F=20mA$	-	635	-	nm
	$\lambda_D(Gr een)$	$I_F=20mA$	-	525	-	nm
	$\lambda_D(B lue)$	$I_F=20mA$	-	470	-	nm
Luminous Intensity	$I_v(R ed)$	$I_F=20mA$	1000	2000	3500	mcd
	$I_v(Gr een)$	$I_F=20mA$	2000	7000	10000	mcd
	$I_v(B lue)$	$I_F=20mA$	800	2500	4000	mcd
50% Power Angle	2 1/2	$I_F=20mA$	-	30	-	deg